

Economical, Multi-format, HDTV Box Camera

# DK-Z50



The New DK-Z50 is a high-performance special application HDTV/SD camera. The camera is ideal for graphic stands point of view and remote observation applications. With its new 2/3-inch 1.0 million pixels 3-CCD, the DK-Z50 provides outstanding performance. The camera offers sharper and cleaner HD images due to its 14-bit A/D converters and Hitachi's implementation of the latest digital processing technology. The camera achieves outstanding high sensitivity and a low vertical smear specification.

## Features

### ●High S/N with HD-SDI

Outstanding Signal-to-noise ratio >58dB measured on the HD-SDI (1080i) output.

### ●14-bit ADC with the latest generation Hitachi DSP

High dynamic range and color fidelity are achieved by employing 14-bit analog-to-digital converters on the RGB CCDs' outputs. Hitachi is a leading developer for High performance CPU & DSP in Broadcast Fields.

### ●High Resolution

The latest generation 2/3-inch CCD with micro lenses and Spatial-offset Processing technologies provided a horizontal resolution performance of 800 TV lines (luminance channel).

### ●Small & light weight head

### ●Versatile CCD shutter

- Five Preset shutter speeds
- Lock scan the camera video to images from asynchronous computer monitors, video walls or projectors without flicker
- Automatic Electronic Shutter (AES) maintains the video level with a fixed lens f-stop

### ●DSP provide advanced image handling and adjustment functions

- Knee saturation and auto-knee
- 12-Vector and Linear Matrix masking
- Skin tone masking
- Automatic Skin Tone Detail Circuits
- Variable Detail Boost Frequency
- Ultra Gamma
- Gray Scale Automatic Setup
- Automatic Shading Correction

### ●Extensive User-Friendly Features

- Full Auto
- Eight scene files are provided to store and recall functions such as gain, detail, masking, gamma and other settings
- White balance memories are provided for each Scene files for a total of nine memories by the remote control panel
- Menu access is provided for iris level (fine adjustment) and iris peak/average selection
- Computer controlled real-time auto-white balance
- ECC (Electric Color Compensating) filter

## Specifications

CCD	2/3-inch, IT-CCD	
Total pixels	Total pixels 1.0 million pixels	
Aspect ratio	16:9 (HD/SD), 4:3 (SD) switchable	
TV signal format	1080/59.94i, 1080/50i, 480/59.94i, 576/50i	
HD Resolution	800TVL	
Standard sensitivity	2000 lx / F10 (1080/59.94i), 2000 lx / F11 (1080/50i) 3200K, 89.9% reflectance	
Minimum illumination	0.002 lx (F1.4/+72dB) +72dB at +36dB GAIN and CCD charge accumulation	
HD S/N	Typical 58dB (HD-SDI output decode Y channel Band : 27.5 MHz)	
Optical Filter	Clear, 1/4 ND, 1/16 ND, 1/64 ND	
ECC Filter	3200K, 4300K, 5600K, 6300K, 8000K	
Shutter	PRESET	1/100, 1/250, 1/500, 1/1000, 1/2000 second (59.94i) 1/60, 1/250, 1/500, 1/1000, 1/2000 second (50i)
	Lock Scan	1/59.94 to 1/10000 second, 1.07 (+36dB) to 0.03second (+6dB), (59.94i) 1/50.00 to 1/10000 second, 1.28 (+36dB) to 0.04second (+6dB), (50i)
Gain selection	L (low)	-3/0dB
	M (medium)	0 to +21dB, 3dB steps.
	H (high)	+3 to +36dB, 3dB steps.
Dimensions (W x H x D)	99(W) x 105(H) x 155(D) (excluding protrusions)	
Power consumption	approx. 17W (DC12V)	
Mass	approx. 1.5 kg (3.3 lbs)	

## Input/Output

Genlock	BNC, Tri-level sync / Black burst
SDI output	BNC x 2, HD-SDI : SMPTE292M 0.8Vp-p/1.5Gbps SD-SDI : SMPTE259M-C 0.8Vp-p/270Mbps
Remote control	1 : 4pin, RS-232C 2 : RJ-45, 10BASE-T/100BASE-TX
Lens control	12pin
VF output	D-sub 15pin

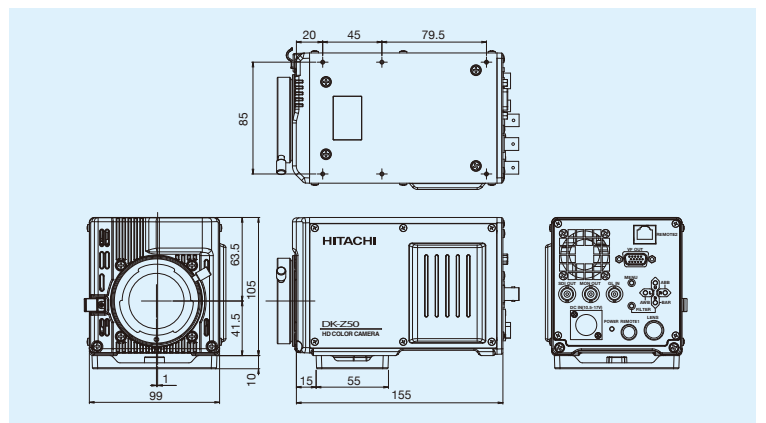
## Standard composition

Camera head DK-Z50	1
Lens Mount Cap	1
Operation Manual	1

## Options

Camera control panel	RU-1000VR / RU-1500JY
AC adaptor	IA-60a (I.D.X)
Lens Extension Cable	ECE-R22 (0.22m) (FUJINON)

## Dimensions



**CAUTION :** To ensure safe operation, please read the instruction manual before using this product.

These Specifications are subject to change without notice.

**Hitachi Kokusai Electric Inc.** URL : <http://www.hitachi-kokusai.co.jp/>

**Head Office** : 14-1, Sotokanda 4-choume, Chiyoda-ku, Tokyo 101-8980, Japan  
Phone : +81(0)3-6734-9432, Fax : +81(0)3-5209-5942

**Hitachi Kokusai Electric (Shanghai) Co., Ltd.**

**Beijing Branch** : Room 1413, Beijing Fortune Building, 5 Dong San Huan Bei-Lu, Chao Yang District, Beijing  
Phone : +86(0) 10-6590-8755/8756, Fax : +86(0) 10-6590-8757

**Hitachi Kokusai Electric America, Ltd.** URL : <http://hitachikokusai.us>

**Headquarters and** : 150 Crossways Park Drive, Woodbury, New York 11797, U.S.A.

**Northeast Office** : Phone : (+1)516-921-7200, Fax : (+1)516-496-3718

**West Office** : 371 Van Ness Way, Suite 120 Torrance, CA. 90501, U.S.A.

Phone : (+1)310-328-6116, Fax : (+1)310-328-6252

**Midwest Sales** : Phone : (+1)330-334-4115, Fax : (+1)516-496-3718

Service : (+1)989-345-5379

**South Sales** : Phone : (+1)850-934-1234

Service : (+1)256-774-3777

**Parts Center** : Phone : (+1)516-682-4435, Fax : (+1)516-921-0993

**Latin Sales** : Phone : (+1)516-682-4420, Fax : (+1)516-496-3718

**Hitachi Kokusai Electric Canada, Ltd.** URL : <http://hitachikokusai.ca>

**Head Office** : 1 Select Avenue Unit#11 Scarborough, Ontario M1V5J3, Canada

Phone : (+1)416-299-5900, Fax : (+1)416-299-0450

**Eastern Office** : 5795 Chemin St. Francois St. Laurent, Quebec H4S 1B6, Canada

Phone : (+1)514-332-6687, Fax : (+1)514-335-1664

**Hitachi Kokusai Electric Europe GmbH** URL : <http://www.hitachi-keu.com>

**Sales and Engineering** : Siemensstr. 9, D-63263 Neu-Isenburg, Germany  
+49(0) 6102-8332-0, Fax : +49(0) 6102-202616

**Frankfurt office**

**London office** : Windsor House, Britannia Road, Waltham Cross, Hertfordshire EN8 7NX, United Kingdom  
Phone : +44(0) 845-121-2177, Fax : +44(0) 845-121-2180  
General email address : [uksales@hitachi-keu.com](mailto:uksales@hitachi-keu.com)



CERTIFICATE No. JMI-0062